

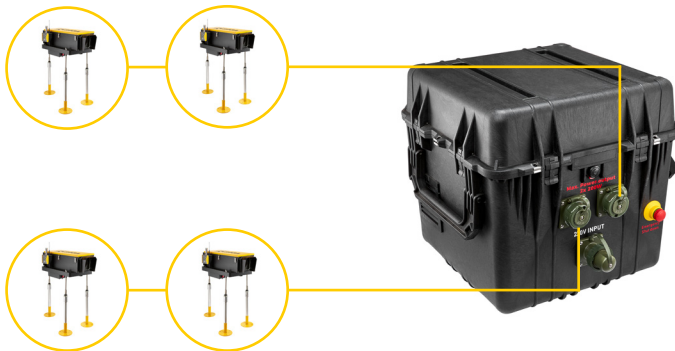
UPS-3000: UNINTERRUPTIBLE POWER SUPPLY UNIT

FOR LED PAPI

S4GA UPS (Uninterruptible Power Supply) Unit is used to provide power supply to S4GA LED PAPI systems. Single UPS can power 4x PAPI projectors at the same time.

KEY FEATURES

- Applicable for 110-230 VAC PAPI systems
- LED PAPI autonomy: 10 hrs
- Battery monitoring
- Compliant with ICAO, FAA, EASA, CASA, NATO STANAG



PAPI (4x LHA)
connected to the UPS



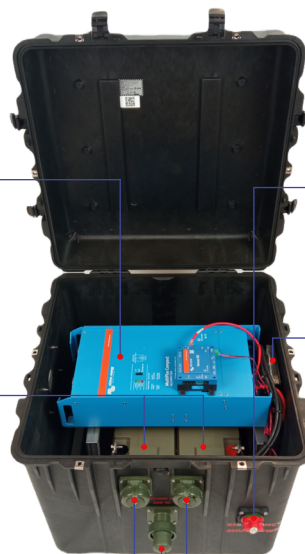
10 hours
of PAPI autonomy



INVERTER-CHARGER
VICTRON MULTIPLUS
C12/1600/17



2 X BATTERIES
TOTAL CAPACITY: 3 000 Wh



EMERGENCY SHUTDOWN SWITCH

AIR FILTER



INPUT POWER SOCKET 110-230V
MILITARY STANDARD



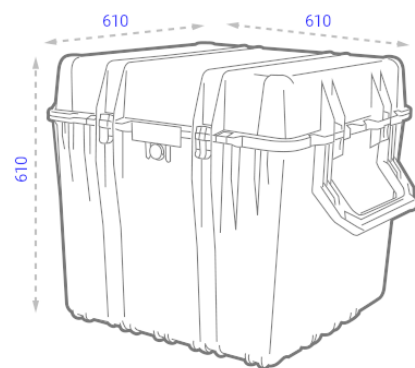
OUTPUT POWER SOCKETS 110-230V
MILITARY STANDARD

TECHNICAL SPECIFICATIONS

Features
• Applicable for LED PAPI systems
• Provides up to 10 hrs of LED PAPI autonomy
• Compliant with international standards
• Battery monitoring available (optional)
• Over-charging protection
Components
• 1 x Victron Multiplus Inverter-Charger
• 1 x Air filter
• 2 x batteries 12V / 125Ah
• 4 x Output sockets 110-230V 16A (military standard sockets)
• 1 x Input socket 110-230V 20A (military standard socket)
• 1 x Emergency Shutdown Switch
• 1 x Ventilation panel
Physical
• Dimensions (LxWxH): 610 mm x 610 mm x 610 mm
• Weight: 98 kg
• Color: black
• Material: polypropylene
Electrical
• Input: 110-230V 20A
• Output: 4 x 110-230V 16A
• Total Capacity: 3 000 Wh
Environmental
• Operating temperature: -40 to +55 °C (-40 to 131 °F)
• Ingress protection: IP-67

Casing Features
• Watertight, crushproof, and dustproof
• Stainless steel hardware and padlock protectors
• Automatic Pressure Equalization Valve - balances interior pressure, keeps water out
• Open cell core with solid wall design - strong, light weight
• O-ring seal
Compliance
• 2014/35/EU Low Voltage Directive
• 2014/30/EU Electromagnetic Compatibility Directive
• 2011/65/EU ROHS Directive

DIMENSIONS



APPLICATIONS



SHIPPING DATA

Dimensions of Package (LxWxH)
470 mm x 540 mm x 520 mm

Gross Weight
98 kg