

PB-3000: POWER BANK

FOR PORTABLE PAPI

S4GA Power Bank is used to provide power supply to S4GA portable LED PAPI systems.

Single Power Bank can power 4x PAPI projectors at the same time.

KEY FEATURES

- Applicable for 110-230 VAC PAPI systems
- LED PAPI autonomy: 10 hrs
- Battery monitoring
- Compliant with ICAO, FAA, EASA, CASA, NATO STANAG



S4GA PAPI Power Bank is optional element for S4GA Portable LED PAPI



POWER BANK AUTONOMY



PAPI (4x LHA) connected to the Power Bank



10 hours of PAPI autonomy



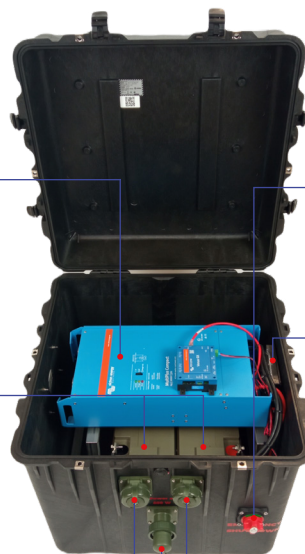
**INVERTER-CHARGER
VICTRON MULTIPLUS
C12/1600/17**



**2 X BATTERIES
TOTAL CAPACITY: 3 000 Wh**



**INPUT POWER SOCKET 110-230V
MILITARY STANDARD**



EMERGENCY SHUTDOWN SWITCH

AIR FILTER



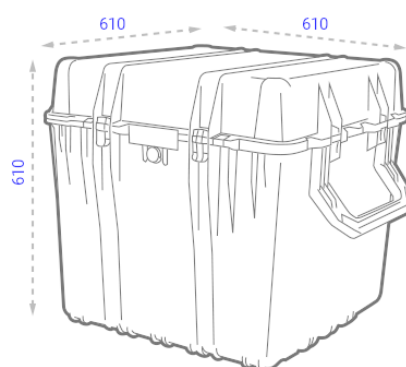
**OUTPUT POWER SOCKETS 110-230V
MILITARY STANDARD**

TECHNICAL SPECIFICATIONS

Features
<ul style="list-style-type: none"> • Applicable for LED PAPI systems • Provides up to 10 hrs of LED PAPI autonomy • Compliant with international standards • Battery monitoring available (optional) • Over-charging protection
Components
<ul style="list-style-type: none"> • 1 x Victron Multiplus Inverter-Charger • 1 x Air filter • 2 x batteries 12V / 125Ah • 4 x Output sockets 110-230V 16A (military standard sockets) • 1 x Input socket 110-230V 20A (military standard socket) • 1 x Emergency Shutdown Switch • 1 x Ventilation panel
Physical
<ul style="list-style-type: none"> • Dimensions (LxWxH): 610 mm x 610 mm x 610 mm • Weight: 98 kg • Color: black • Material: polypropylene
Electrical
<ul style="list-style-type: none"> • Input: 110-230V 20A • Output: 4 x 110-230V 16A • Total Capacity: 3 000 Wh
Environmental
<ul style="list-style-type: none"> • Operating temperature: -40 to +55 °C (-40 to 131 °F) • Ingress protection: IP-67

Casing Features
<ul style="list-style-type: none"> • Watertight, crushproof, and dustproof • Stainless steel hardware and padlock protectors • Automatic Pressure Equalization Valve - balances interior pressure, keeps water out • Open cell core with solid wall design - strong, light weight • O-ring seal
Compliance
<ul style="list-style-type: none"> • 2014/35/EU Low Voltage Directive • 2014/30/EU Electromagnetic Compatibility Directive • 2011/65/EU ROHS Directive

DIMENSIONS



APPLICATIONS



SHIPPING DATA

Dimensions of Package (LxWxH)
470 mm x 540 mm x 520 mm

Gross Weight
98 kg

Document version: 10061-DS-0526