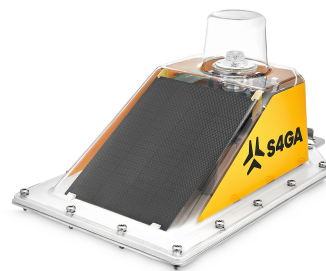






SP-102S SOLAR OBSTRUCTION LIGHT



LOW INTENSITY

				<p>Compliance: ICAO Annex 14 Vol. I (8th. Edition, July 2018) EASA CS-ADR-DSN FAA AC</p>
---	---	---	---	--

FEATURES

- Self-contained solar light
- 140 hrs of autonomy
- 37 cd light output

APPLICATION

Low intensity, self contained solar light designed for temporary usage as obstacle light.

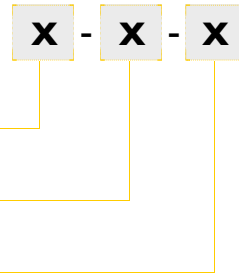
TECHNICAL SPECIFICATIONS

<p>Optics</p> <ul style="list-style-type: none"> • 37 cd light output (tested by accredited laboratory) • Omnidirectional • LED lifespan: 100.000 hrs • Maximum power consumption: 1,8W • NVG-compatible, Infrared LEDs (optional) • Color: red • User-replaceable 	<p>Safety & Reliability</p> <ul style="list-style-type: none"> • Real-time monitoring via ALCMS (Airfield Lighting Control and Monitoring System) 					
<p>Battery</p> <ul style="list-style-type: none"> • Built-in battery • Autonomy: 140 hrs (minimum intensity) • Total capacity: 108W (9Ah/12V) • Deep-cycle VRLA, 12V/9Ah (available worldwide) • Lifespan: 1.200 cycles (designed for 4-5 years) • User-replaceable, air transportable 	<p>Environmental Conditions</p> <ul style="list-style-type: none"> • Temperature range: -20 to 50 °C (-4 to 122 °F) • Ingress protection: IP-67 • Jet Blast Resistance: 480 kph 					
<p>Solar Power Supply</p> <ul style="list-style-type: none"> • 5W built-in solar panel • Polycrystalline type • Lifespan: 15 years • MPPT-Temp / Built-in inverter 12-36V/2A 	<p>Compliance</p> <table border="1"> <tr> <td data-bbox="782 1187 1093 1254">Photometric & Chromaticity</td> <td data-bbox="1093 1187 1497 1254">ICAO, Annex 14th, Volume I, 8th Edition dated July 2018, table 6-2, Appendix 1, Figure A1-1b</td> </tr> <tr> <td data-bbox="782 1254 1093 1400" rowspan="2">Jet Blast Resistance</td> <td data-bbox="1093 1254 1497 1332">ICAO, Annex 14th, Volume I, 8th Edition dated July 2018, Doc 9157, Part 6, clause 3.2.2 & clause 4.9.1</td> </tr> <tr> <td data-bbox="1093 1332 1497 1400">FAA AC 150/5345-50B dated September 2007, clause 3.2.2</td> </tr> </table>	Photometric & Chromaticity	ICAO, Annex 14th, Volume I, 8th Edition dated July 2018, table 6-2, Appendix 1, Figure A1-1b	Jet Blast Resistance	ICAO, Annex 14th, Volume I, 8th Edition dated July 2018, Doc 9157, Part 6, clause 3.2.2 & clause 4.9.1	FAA AC 150/5345-50B dated September 2007, clause 3.2.2
Photometric & Chromaticity	ICAO, Annex 14th, Volume I, 8th Edition dated July 2018, table 6-2, Appendix 1, Figure A1-1b					
Jet Blast Resistance	ICAO, Annex 14th, Volume I, 8th Edition dated July 2018, Doc 9157, Part 6, clause 3.2.2 & clause 4.9.1					
	FAA AC 150/5345-50B dated September 2007, clause 3.2.2					
<p>Control & Monitoring</p> <ul style="list-style-type: none"> • Wireless mesh type network • Operating frequency: 868 MHz • Operating range: up to 1.5 km, relayed (each light is a repeater) • Operating Modes: Steady / Flashing / Dusk till dawn Visible / Infrared (optional) / Visible + Infrared (optional) • Activation options: Via UR-101 Handheld Controller Via ALCMS Computer Interface (requires UR-201) Via UR-201 Control & Monitoring Unit 	<table border="1"> <tr> <td data-bbox="782 1411 1093 1646" rowspan="3">Frangibility</td> <td data-bbox="1093 1411 1497 1478">ICAO Doc 9157 AN901 Aerodrome Design Manual Part 6, 1st Edition dated 2006, clause 4.9</td> </tr> <tr> <td data-bbox="1093 1478 1497 1545">ICAO, Annex 14th, Volume I, 8th Edition dated July 2018, clause 5.3.1.3</td> </tr> <tr> <td data-bbox="1093 1545 1497 1646">FAA AC 150-5345-46E clause 3.4.2.1 FAA AC 150/5220-23, clause 3.2</td> </tr> </table>	Frangibility	ICAO Doc 9157 AN901 Aerodrome Design Manual Part 6, 1st Edition dated 2006, clause 4.9	ICAO, Annex 14th, Volume I, 8th Edition dated July 2018, clause 5.3.1.3	FAA AC 150-5345-46E clause 3.4.2.1 FAA AC 150/5220-23, clause 3.2	
Frangibility	ICAO Doc 9157 AN901 Aerodrome Design Manual Part 6, 1st Edition dated 2006, clause 4.9					
	ICAO, Annex 14th, Volume I, 8th Edition dated July 2018, clause 5.3.1.3					
	FAA AC 150-5345-46E clause 3.4.2.1 FAA AC 150/5220-23, clause 3.2					
<p>Casing & Components</p> <ul style="list-style-type: none"> • Materials Casing, Dome: polycarbonate, UV-resistant Mounting: galvanized steel (optional: marine grade stainless steel) Frangible mounting: aluminum (tested by accredited laboratory) • Built in antenna (optional: external antenna) • Pressure stabilizing valve • Battery level indicator • Carrying handle • Casing lifespan: 15 years • Dimensions (LxWxH): 455 x 280 x 254 mm • Weight: 9,9 kg 	<table border="1"> <tr> <td data-bbox="782 1657 1093 1724">Secondary Power Supply</td> <td data-bbox="1093 1657 1497 1724">ICAO, Annex 14th, Volume I, 8th Edition dated July 2018, clause 8.1.8 - 8.1.9 & clause 8.1.11</td> </tr> <tr> <td data-bbox="782 1724 1093 1814" rowspan="2">CE Declaration of Conformity</td> <td data-bbox="1093 1724 1497 1769">2014/53/EU RED Directive, clauses 3.1a, 3.1b, 3.2</td> </tr> <tr> <td data-bbox="1093 1769 1497 1814">2011/65/EU ROHS Directive, clause 4.1</td> </tr> </table>	Secondary Power Supply	ICAO, Annex 14th, Volume I, 8th Edition dated July 2018, clause 8.1.8 - 8.1.9 & clause 8.1.11	CE Declaration of Conformity	2014/53/EU RED Directive, clauses 3.1a, 3.1b, 3.2	2011/65/EU ROHS Directive, clause 4.1
Secondary Power Supply	ICAO, Annex 14th, Volume I, 8th Edition dated July 2018, clause 8.1.8 - 8.1.9 & clause 8.1.11					
CE Declaration of Conformity	2014/53/EU RED Directive, clauses 3.1a, 3.1b, 3.2					
	2011/65/EU ROHS Directive, clause 4.1					
<p>Accredited Laboratory Testing</p>						
Photometric & Chromaticity	Intertek Laboratory					
Jet Blast Resistance	Warsaw Institute of Aviation The Laboratory of Aerodynamics					
Frangibility	Laborex Research Laboratory					
Ingress Protection	EMAG Institute of Innovative Technologies					

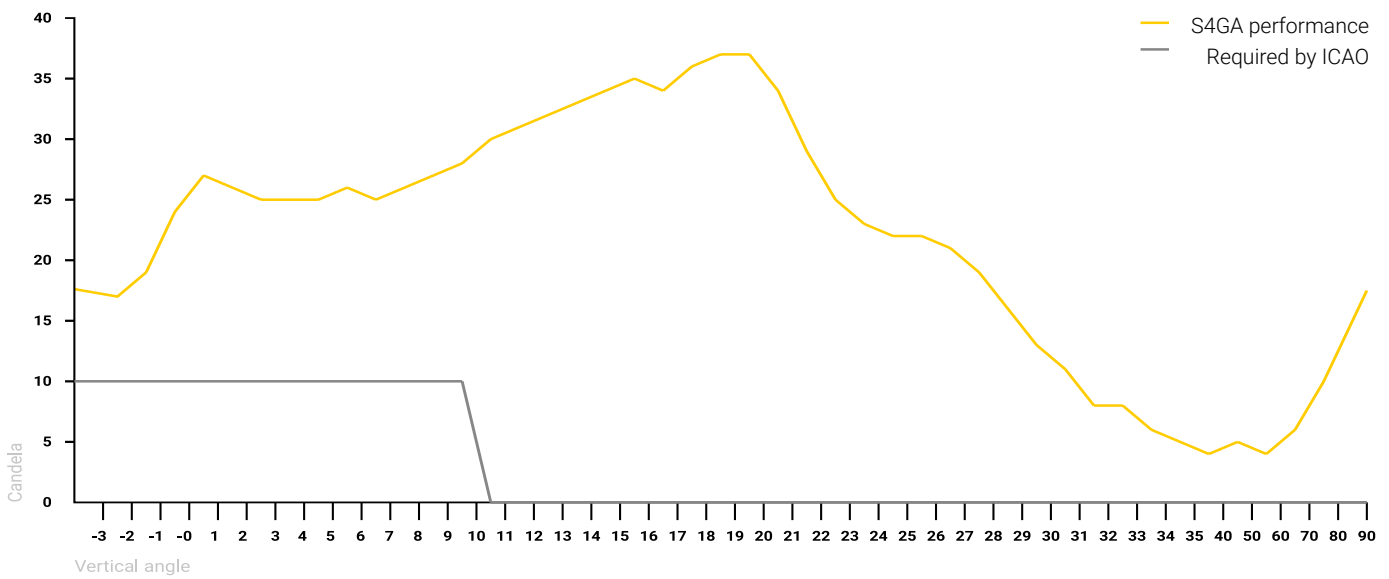
ORDERING CODES

SP-102S OBS - **X** - **X** - **X**

Remote Control	0 - No 1 - Yes
Infrared	0 - No 1 - Yes
Mounting	0 - No 1 - Yes

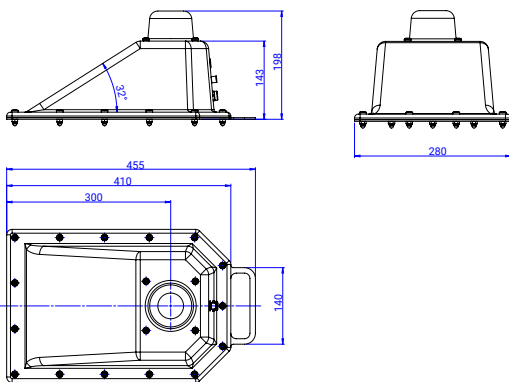


PHOTOMETRIC PERFORMANCE

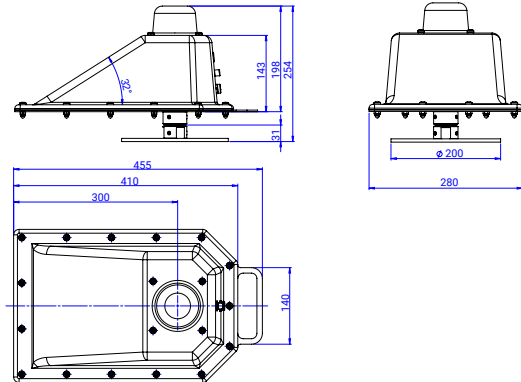


TECHNICAL DRAWING

Portable version (without mounting)



Fixed version (with mounting)



SHIPPING DATA

Item	Dimensions of Package (LxWxH)	Gross Weight
SP-102S Lighting Unit	500 mm x 300 mm x 210 mm	10,5 kg
SP-102S Lighting Unit, NO battery	500 mm x 300 mm x 210 mm	7,9 kg