

SP-401 PORTABLE HELIPAD LIGHTING KIT

FATO

TLOF



1x UR-101 HANDHELD CONTROLLER

8x SP-401P PORTABLE LIGHTS



Compliance:

ICAO Annex 14 Vol. II (7th. Edition, July 2016)
EASA CS-ADR-DSN
FAA AC

FEATURES

- 10 km visibility range
- NVG Compatible
- Remote activation

APPLICATION

Portable helipad lighting case, designed to quickly illuminate temporary helipads in accordance with ICAO:

- Temporary helipads
- Emergency helipads
- Tactical helipads

TECHNICAL SPECIFICATIONS

8x SP-401P PORTABLE LIGHT



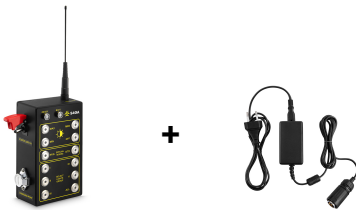
TLOF



FATO

	SP-401 FATO Light	SP-401 TLOF Light
Optics	LED type LED lifespan 100.000 Hrs Omnidirectional	LED type LED lifespan 100.000 Hrs Omnidirectional
Light Output	110 cd	49 cd
Light Color	White	Green
Autonomy	180 hours (minimum intensity)	280 hours (minimum intensity)
Control	Wireless mesh type network (encrypted)	
Operating frequency	868 MHz (optional 2.4GHz or 433 Mhz)	
Operating range	Up to 1.500 m, relayed (each light is a repeater)	
Operating modes	Steady / Flashing / Dusk till dawn Visible / Infrared (optional) / Visible + Infrared (optional)	
Battery	2 X built-in batteries, VRLA deep-cycle type 9Ah/12V each battery user-replaceable	
Power Supply	Contactless charging in a case, charging time - 16 hours	
Casing / Dome	UV-stabilized Lexan polycarbonate, Glass dome, Color: aviation yellow	

1x UR-101 HANDHELD CONTROLLER



Operating Range	Up to 1.500 m
Frequency	Automatically modulated and encrypted Radio transceiver: 868 mhz Operation frequency: provided by S4GA
Autonomy	48 hours
Battery	Lithium-ion battery, 7V / 4Ah
Lighting System Control	Lights intensity setup: 10, 30, 100% Operating modes setup: steady, flashing Special modes setup: NVG, dusk till down Grouping of lights: up to 5 groups
Casing	Non-corrosive powder coated steel Color: black
Power Supply	Single charger 110-230VAC (included)

1x PROTECTIVE CASE WITH BUILT-IN 8x CONTACTLESS CHARGING PLATFORMS



Materials	Super-light proprietary HPX' polymer Crushproof and dust proof Stainless steel hasp protectors
Casing	Lockable system (metal lock for proper protection of lights) Wheels and telescopic handle for easy transportation. Automatic purge valve balances air pressure
Environmental Conditions	Resistant to water and dust Temperature range: -20 to 70 °C (-4 to 738 °F) Humidity: 20 ~ 90% RH non-condensing
Charging of Lights	Via in-built OCT-401 Charger (charging time: 8 hrs) 8x contactless charging platforms
Power Input	90-305VAC; 127-431VDC

ORDERING CODES

SP-401P - X - X - X

OPTICS COLOR & DIRECTION

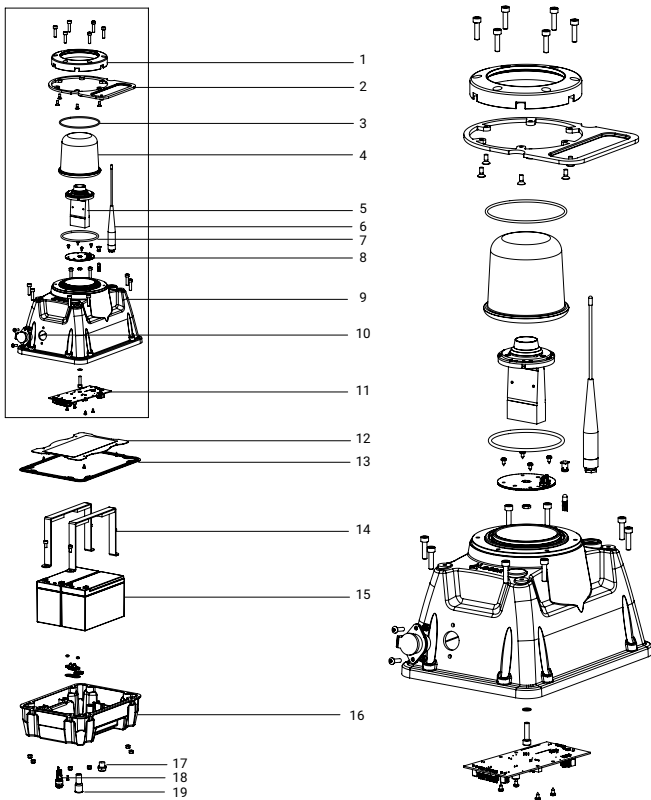
Optics Color & Direction	No	left-UNI	central-OMNI	right-UNI	Application
	1	--	White	--	Final Approach and Take-Off Area Light
	2	--	Green	--	Touch Down and Lift-Off Area Light

Infrared	No	Value
	0	No (default)
	1	Yes

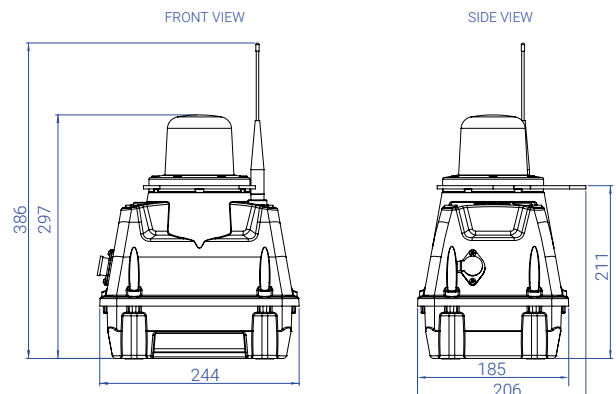
BATTERY & POWER SUPPLY

Battery	No	Value
	0	Lead Acid KGA6, 2 pcs, total capacity: 216W (default)
	1	Li-On, 1 pcs, total capacity: 408W
	2	A ⁺ ED, 2 pcs, total capacity: 256W
	3	Cyclon, 1 pcs, total capacity: 120W (Arctic Pack)

TECHNICAL DRAWING



1. Adapter for glass dome
2. Carrying handle
3. O-ring for the glass dome
4. Glass dome
5. LED optics
6. Radio antenna for wireless control & monitoring
7. O-ring under the glass dome
8. PCB board
9. Casing upper part
10. Charging port
11. Main micro-computer with integrated radio transceiver
12. Protective plate
13. Rubber gasket
14. Battery holder
15. 2x batteries built-in, VRLA type 12V/9Ah
16. Casing bottom part
17. Pressure stabilizing valve
18. Emergency ON/OFF button
19. Transportation fuse



SHIPPING DATA

Item	Dimensions of Package (LxWxH)	Gross Weight
1 x Portable Helipad Lighting Case FATO (without equipment)	1296 mm x 699 mm x 579 mm	43 kg
1 x Portable Helipad Lighting Case FATO (fully equipped)	1296 mm x 699 mm x 579 mm	110 kg