

MILITARY AIRFIELD LIGHTING TRAILER



FEATURES

- Capacity: accommodates 132 SP-401P Portable Lights
- Drop-in charging: integrated system for easy and efficient charging of all lights
- Durability: engineered to endure harsh military conditions
- Portability: designed for easy transport to various locations
- Power supply: 110-230VAC MAINS or 2x built-in generators
- Approved for public roads
- Total trailer weight: 3500 kg (7,716 lbs)

APPLICATION

Designed for deployed, tactical, emergency short-term operations at military airbases. S4GA Military Trailer houses a complete set of lights to illuminate up to 4 300 m (14,107 ft) runway according to NATO STANAG requirements and aviation standards.

TECHNICAL SPECIFICATIONS

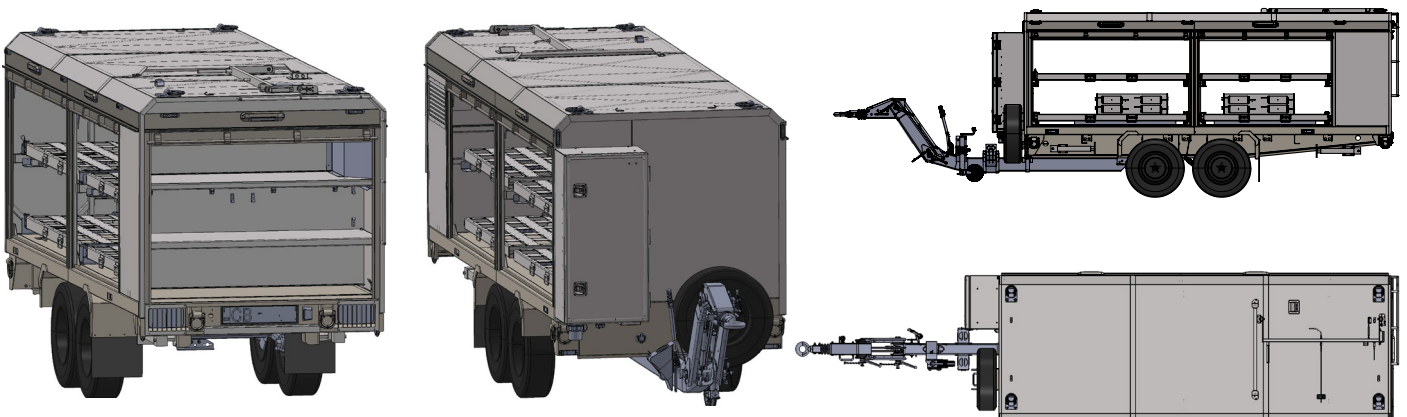
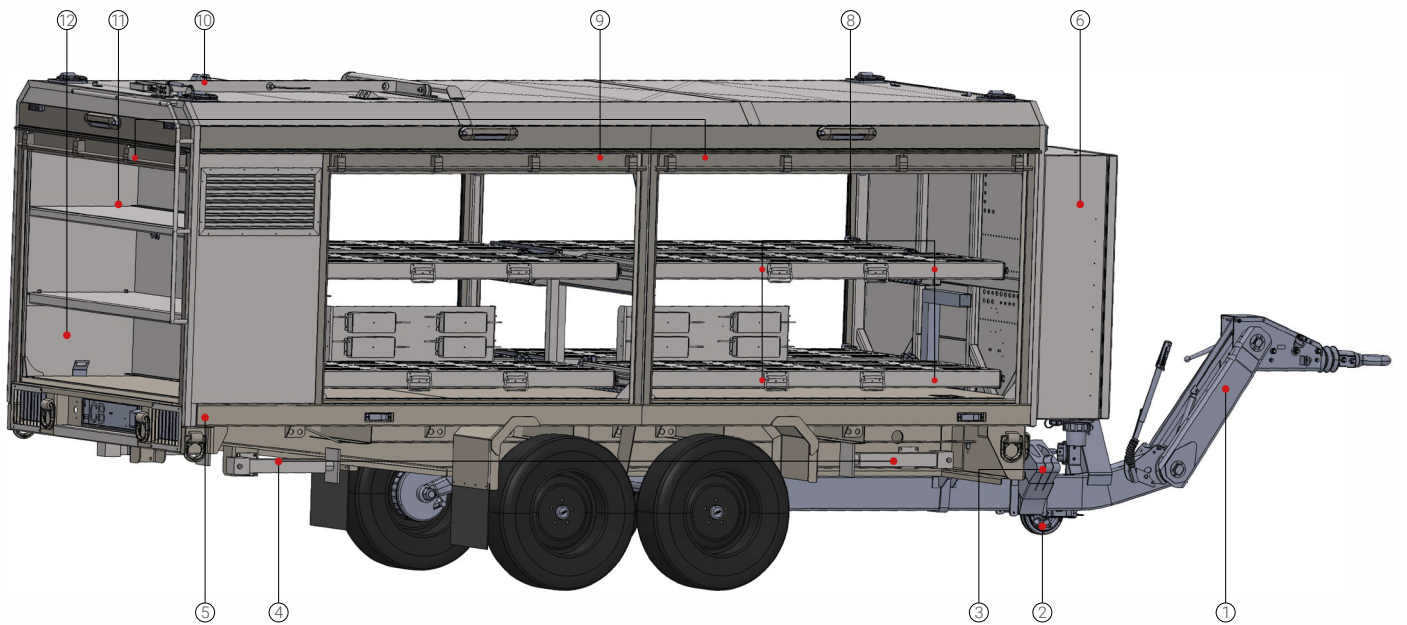
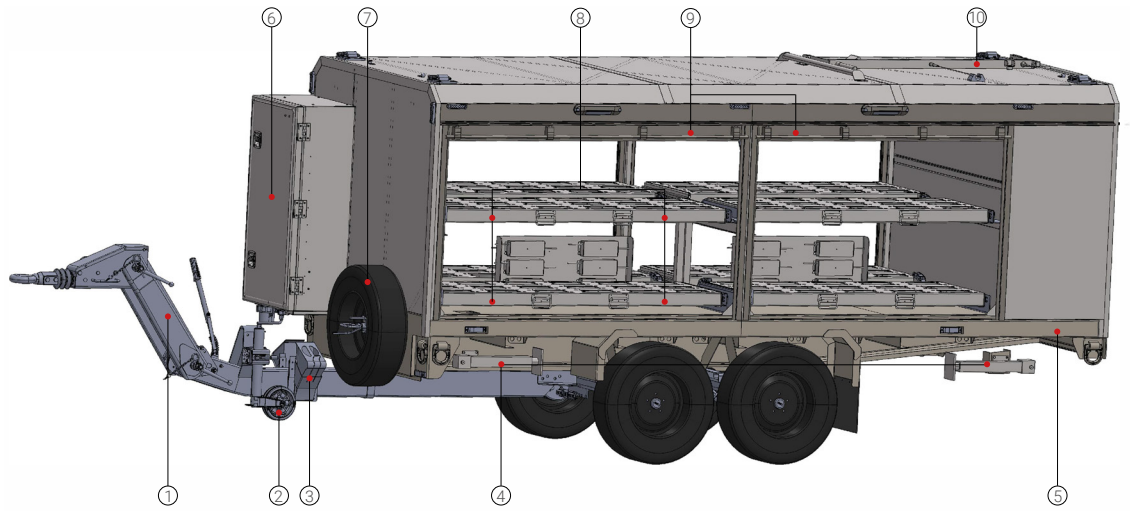
Materials & Components	
	• Material : Aluminium alloys painted in RAL
	• Interior, frame, shelves: Aluminium alloys and stainless steel
	• Doors: Aluminium roller shutters
	• Chassis frame: Galvanized and painted
	• Tires: 195/75 R16
	• Tires type: All terrain
	• Weight: Up to 3500 kg (7,716 lbs)
Illumination & Lighting	
	• White internal / external lighting
	• Red internal lighting
	• Flashing orange beacons
	Optional:
	• NVG lighting (external/internal)
	• Lighting and marking in accordance with traffic regulations
Electrical & Power Supply	
	• Power input: 110-230VAC
	• 2x Fuel generators (stored inside the trailer)
	• Electrical connector for towing vehicle
	- 13-pin
	- 7-pin RV-BLADE USA (optional)
	• Customized external power supply connector
	• Internal battery to power internal / external trailer illumination

Functions	
	• Drop-in charging
	• Locking system for individual lights
	• Lockable doors
	• Sliding shelves for easy access
Towing & Logistics	
	• System of 2 braked axles with wheel arches
	• 4x support legs in the corners of the trailer (manually adjusted)
	• Wheels with steel rims
	• 2x wheel chokes
	• Spare tire: yes
	• Parking brake
	• Drawbar support leg
	• Jockey wheel for stabilization
	• Handles / eyelets for fixing and lifting the trailer
	• Adjustable hook height
	• Hitch hook, adjustable height
	• Type: NATO towing eye, N76/F
Airfield Lighting Equipment	
	• 132x SP-401P Portable Airfield Lights
	• 1x UR-101 Handheld Controller
Compliance	
	• NATO STANAG



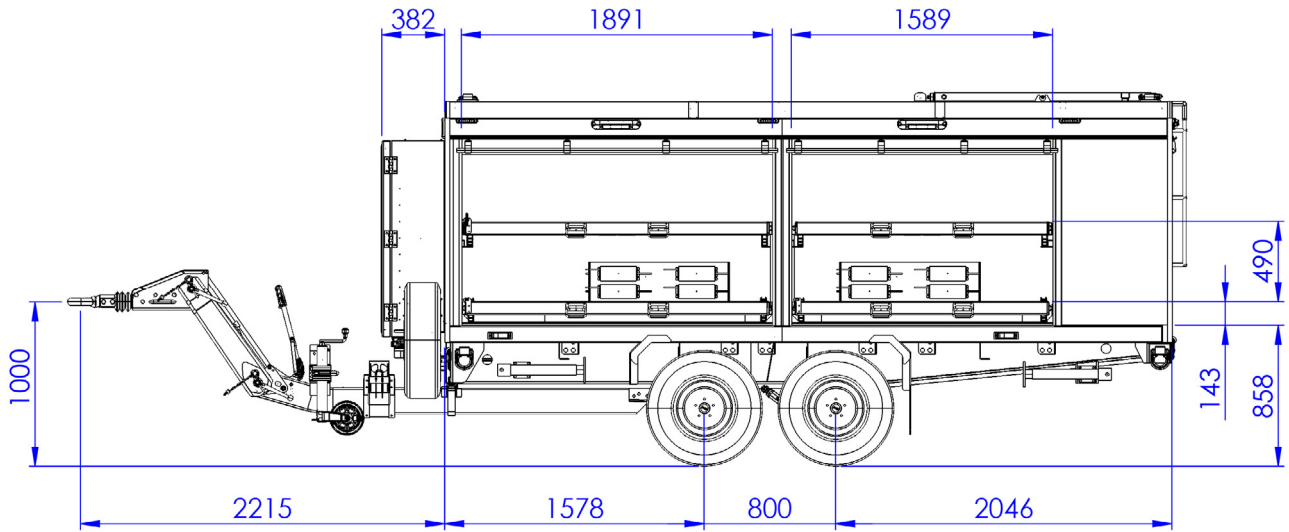
TECHNICAL DRAWING

- 1. Height adjustable drawbar
- 2. Support wheel
- 3. Wheel chocks
- 4. Support legs
- 5. Chassis frame
- 6. Control cabinet
- 7. Spare wheel
- 8. Pull-out shelves
- 9. Roller shutter
- 10. Antenna mechanism
- 11. Shelf for accessories
- 12. Power generators

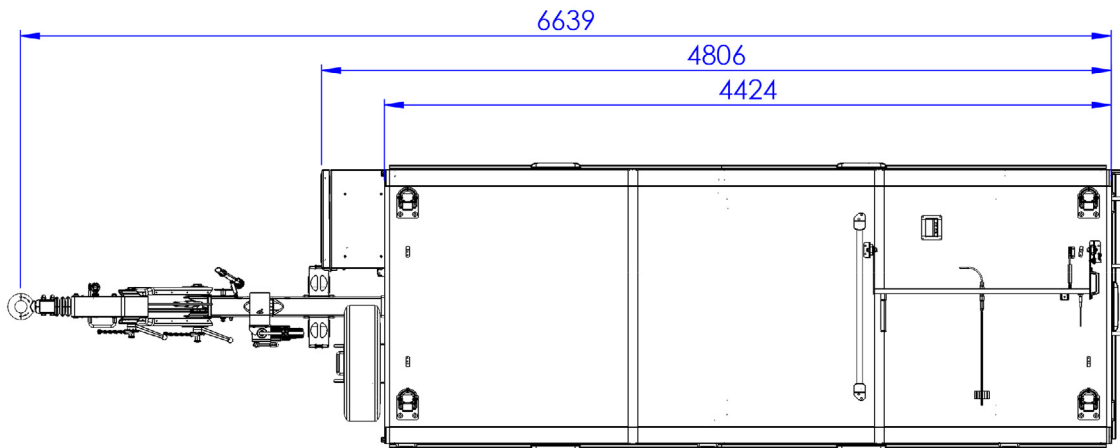


TECHNICAL DRAWING

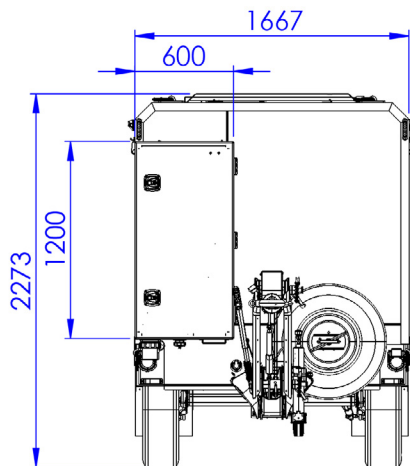
Side View



Top View



Front View



Back View

