

# S4GA POWER BANK

## FOR PORTABLE PAPI

S4GA Power Bank is used to provide power supply to S4GA portable PAPI system.

Single Power Bank can power 4x PAPI projectors at the same time.

### KEY FEATURES

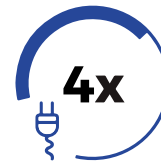
- Designed to supply portable 110-230 VAC PAPI systems
- LED PAPI autonomy: 10 hrs
- Applicable for civil & military applications
- Compliant with ICAO, FAA, EASA, CASA, NATO STANAG



S4GA PAPI Power Bank is optional element for S4GA Portable LED PAPI



### POWER BANK AUTONOMY



PAPI (4x LHA) connected to the Power Bank



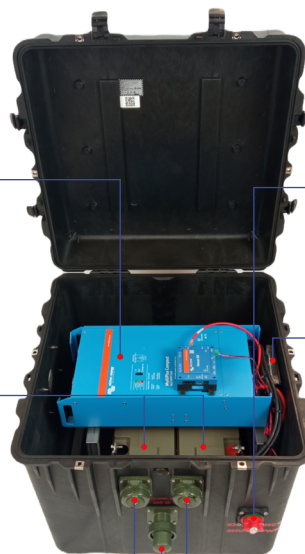
10 hours of PAPI autonomy



**INVERTER-CHARGER VICTRON MULTIPLUS C12/1600/17**



**2 X BATTERIES TOTAL CAPACITY: 3 000 Wh**



**EMERGENCY SHUTDOWN SWITCH**

**AIR FILTER**



**INPUT POWER SOCKET 110-230V MILITARY STANDARD**



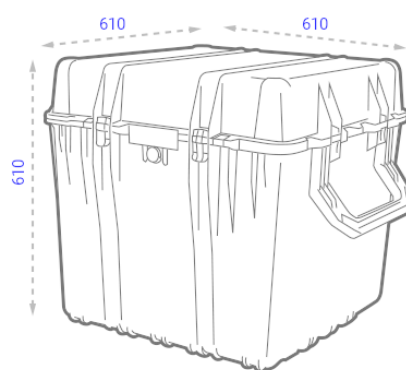
**OUTPUT POWER SOCKETS 110-230V MILITARY STANDARD**

## TECHNICAL SPECIFICATIONS

Features
• Applicable for LED PAPI systems
• Provides up to 10 hrs of LED PAPI autonomy
• Compliant with international standards
• Battery monitoring available (optional)
• Over-charging protection
Components
• 1 x Victron Multiplus Inverter-Charger
• 1 x Air filter
• 2 x batteries 12V / 125Ah
• 4 x Output sockets 110-230V 16A (military standard sockets)
• 1 x Input socket 110-230V 20A (military standard socket)
• 1 x Emergency Shutdown Switch
• 1 x Ventilation panel
Physical
• Dimensions (LxWxH): 610 mm x 610 mm x 610 mm
• Weight: 98 kg
• Color: black
• Material: polypropylene
Electrical
• Input: 110-230V 20A
• Output: 4 x 110-230V 16A
• Total Capacity: 3 000 Wh
Environmental
• Operating temperature: -40 to +55 °C (-40 to 131 °F)
• Ingress protection: IP-67

Casing Features
• Watertight, crushproof, and dustproof
• Stainless steel hardware and padlock protectors
• Automatic Pressure Equalization Valve - balances interior pressure, keeps water out
• Open cell core with solid wall design - strong, light weight
• O-ring seal
Compliance
• 2014/35/EU Low Voltage Directive
• 2014/30/EU Electromagnetic Compatibility Directive
• 2011/65/EU ROHS Directive

## DIMENSIONS



## APPLICATIONS



## SHIPPING DATA

Dimensions of Package (LxWxH)
470 mm x 540 mm x 520 mm

Gross Weight
98 kg