

TAXIWAY RETROREFLECTIVE MARKER

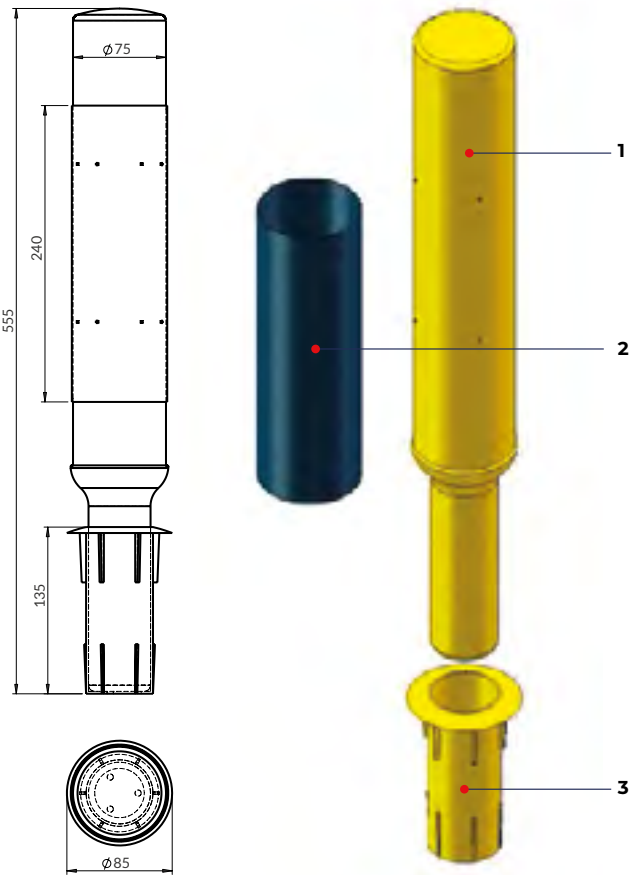
		<p>Compliance: ICAO Annex 14, Volume I, 7th Edition FAA L-853, AC 150/5345-39</p>
---	---	--

APPLICATION

S4GA retro-reflective taxiway markers are used for marking taxiway and apron edges at airports.

FEATURES

- Easy installation & mounting
- Frangible, jet blast resistant
- Maintenance-free
- No electricity required



1. Corrosion-resistant, UV-resistant HDPE body
2. Blue retro-reflective sleeve
3. Ground mounting socket



TECHNICAL SPECIFICATIONS

Photometrics

- Type: retro-reflective sleeve
- Color: blue (other colors available on demand)
- Highly visible in all weather conditions, day or night
- Reducing the "sea of blue" effect experienced by many pilots
- No electricity required: reflects aircraft landing and wing tip lights

Physical Characteristics

- Cylindrical shape for full omnidirectional light reflection (360°)
- Corrosion-resistant, UV-resistant HDPE body
- High intensity, blue retro-reflective sleeve
- Frangible
- Jet blast resistant
- Height: 555 mm
- Sleeve height: 135 mm
- Diameter: 75 mm
- Weight: 313 g

Installation & Maintenance

- Easy installation by self-clamping fixing concept between post and in-ground base
- It can be fixed directly into the ground or pavement
- Easy replacement by self-clamping fixing concept
- The ground mounting socket improves stability and makes replacing the marker easier

Compliance

- ICAO, Annex 14th, Volume I, 7th Edition dated 2016, clause 5.5.5
- FAA L-853, AC 150/5345-39