

SP-701

OBSTRUCTION LIGHTING UNIT

MEDIUM INTENSITY

TYPE B



Compliance:
ICAO Annex 14 Vol. I (7th. Edition, July 2016)

FEATURES

- Certified product
- High energy efficiency
- Low weight
- Easy installation

APPLICATION

Medium intensity, designed for usage as obstruction marking

TECHNICAL SPECIFICATIONS

Optics

- Light intensity 2000 candela (Type B)
- Lifetime of optical components over 100 000 hours

Functions

- Day/night detection system - integrated twilight sensor
- Flash mode, no external controller required
- Integrated GPS/GLONASS control system, facilitating cooperation of a group of lamps working in wind turbine farms or other facilities requiring synchronous operation

Power source

- Low power consumption, in flash mode up to 15W at 30 fpm
- Integrated overvoltage protection class TII (class C) at 36kA for protection against impacts specified in PN-EN 61000-4-5:2009

Compliance

- Implement the requirements of regulations issued by the Federal Aviation Administration (FAA), the International Civil Aviation Organization (ICAO), the European Aviation Safety Agency (EASA)
- Certificate of compliance with the requirements for medium intensity lamps according to ICAO - an external accredited body
- Mechanical shock resistance - at least IK08
- Electromagnetic compatibility certificate (EMC) - an external accredited body
- Integrated lamp design (light alloys and composites) with a degree of protection of IP65 or higher

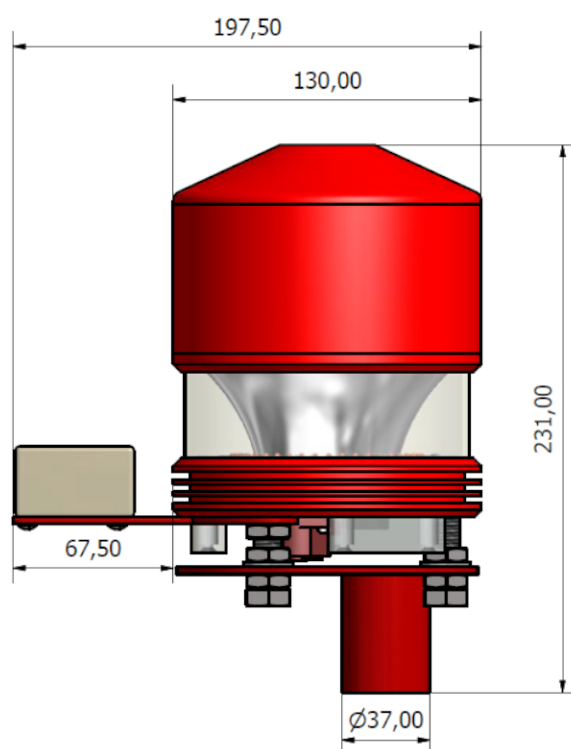
Body

- Material: light alloys and composites
- Very low lamp weight not exceeding 2.9 kg (without flash synchronization) or 3.2 kg (without flash synchronization)
- Enclosure surface protected with antioxidant layers
- Mounting on the object by means of a supporting structure ended with a pipe with a 1 inch thread. On request we design and build dedicated support structures according to customer requirements.

Operation range

Operating temperature: From -55°C to +55°C

storage temperature: From -65°C to +75°C



ELECTRICAL PARAMETERS

Series lamp type SP-701	Supply voltage	Supply voltage VAC/VDC			Average level of power consumption [W]	Type according to ICAO
		Min.	Typ.	Max.[V]		
SP-701 with flash synchronization	24 VAC/VDC	21	24	51	< 15 (+/-2%)	B
	110VAC/VDC	92	230	256	< 15 (+/-2%)	B
	230 VAC/VDC	92	110	256	< 15 (+/-2%)	B
SP-701 without flash synchronization	24 VAC/VDC	21	24	51	< 15 (+/-2%)	B
	110 VAC/VDC	92	230	256	< 15 (+/-2%)	B
	230 VAC/VDC	92	110	256	< 15 (+/-2%)	B
2000 cd, type B (flash operation) - does not require a separate controller						