



S4GA



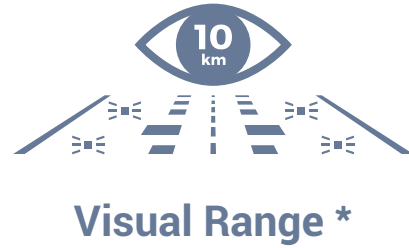
**PORTABLE AIRFIELD
& HELIPAD LIGHTING
FOR DEMANDING
CUSTOMERS**



SP-102 PORTABLE LIGHTING UNIT

TYPICAL APPLICATIONS

- ✓ Temporary Helipad lighting
- ✓ Runway edge lighting
- ✓ Runway threshold/end lighting
- ✓ Taxiway edge lighting
- ✓ Emergency landing zones
- ✓ Obstruction Lighting



KEY FEATURES

- ✓ Supports Visual & NVG operations
- ✓ Adjustable intensity level
- ✓ Multiple operating modes
- ✓ Quick & Easy Deployment
- ✓ Non-corrosive aluminium body
- ✓ IP-65 waterproof rating
- ✓ User-replacable battery
- ✓ Interchangeable optical head



ICAO & FAA Compliance
verified by third-party testing



Unit Type	Tested Operating Time Steady Mode	
	Min Intensity	Max Intensity
Runway Edge	25 hrs	10 hrs
Runway Threshold/End	25 hrs	10 hrs
Taxiway	105 hrs	40 hrs
Helipad	36 hrs	15 hrs
Obstruction	50 hrs	20 hrs

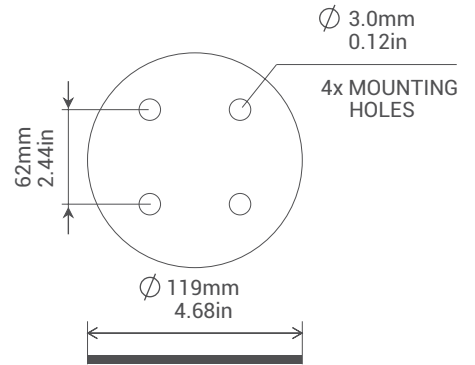
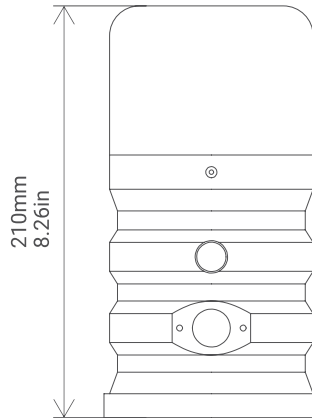
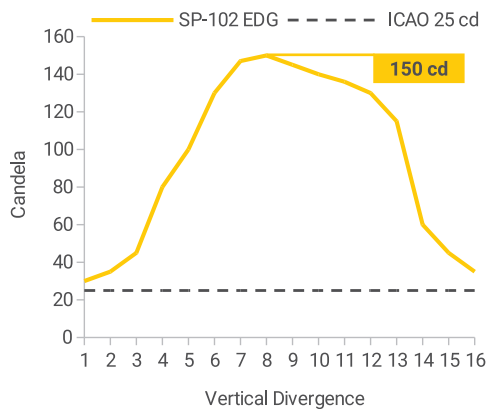
INTERCHANGEABLE OPTICAL HEAD **

We do not limit our customers. Every SP-102 unit can be converted for another application. Today you can use your SP-102 unit as runway edge light but tomorrow as taxiway, helipad or obstruction marking.

* For helipad light

** Optical conversion requires obtaining additional optical head

TECHNICAL SPECIFICATION



Specification	Parameter	Description
Operating modes	Selective via push-button	Steady-on: Min - Med - Max Intensity
	Last selected mode is memorized	Flashing: 30 - 60 - 120 FPM Automatic Dusk-Till-Dawn (adjustable intensity) NVG Only - for covert operations NVG + Visible LED
Optics	ICAO Compliance	ICAO, Annex 14
	FAA Compliance	150/5345-50B
	Interchangeable optical head	Yes
	LED	Life span: min 50.000 hrs Consistent photometrics for product life
Operating temperature range	Standard	-20 to 50 °C (-4 to 122 °F)
	Arctic pack	-40 to 80 °C (-40 to 176 °F)
Battery	Type	Deep-cycle VRLA Suitable for air transport
	Capacity	4,5 Ah
	Nominal voltage (V)	6,0 V
	Life span	4-5 yers / 1.200 cycles
	On-board battery indicator	Yes
	Battery replacable by user	Yes
Battery Charging	External charging port	Yes
	Available charging options	via OCT-102 charging station via solar panel via cable
	Charging time via charging station	8 hrs
	Charging time via solar panel	12 hrs
Control & Monitoring	Multifunctional Push-button	On-Off, selecting operating mode, reset Protection against incidental activation
	Automatic Light Control (ALC)	ALC adjusts intensity level if battery reaches low capacity to ensure continued operation
	Built-in micro-controller	Yes
	Built-in protection against excessive overcharging/discharging of the battery	Yes
Solar Panel	Nominal power output	5W
	Installed separately from the lighting unit	Yes
	Panel facing direction	Uni-directional for optimal energy collection
	Life span	15 years
Casing	Waterproof rating	IP-65
	UV resistant	Yes
	Height / Diameter	210 x 125 mm
	Weight (kg)	2
	Chassis Material	Non-corrosive aluminum
	Dome Material	Premium, UV-resistant polycarbonate
CE Compliance	Standards	EN 61000-4-2:2009, EN 61000-4-3:2007/A2:2011 PN-EN 61000-4-4:2013-05 EN 61000-4-5:2014-10 EN 61000-4-6: 2014-04



ACCESSORIES

S4GA Portable Lighting is designed to operate in remote areas.

S4GA offers reach selection of accesories so our customers can choose set that fits their application.

STANDARD PORTABLE LIGHTING SET INCLUDES:

1x Protective casing



Casing can accomodate up to 6x SP-102 Units. Shock-absorbent foam offers reliable protection in case of transportation and storage.

6x SP-102 Lighting units



SP-102 Lighting Unit is portable, battery-powered unit designed to work in the most demanding conditions.

1x OCT-102 Charging Station



OCT-102 Charging station can charge up to 6x SP-102 Units simultaneously. Charging station supports both 230V and 110V and is equipped with Type E electrical plug.

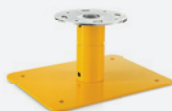
6x Mounting stakes for grass surface



Mounting stake for grass / ground surface is made of non-corrosive, stainless steel.

--- OR ---

6x Mounting for concrete / asphalt surface



Mounting for concrete / asphalt surface is designed to comply with ICAO frangibility requirements. Mounting platforms are made of non-corrosive, stainless steel. Frangible mounting is made of aluminium.

ORDER YOUR PORTABLE LIGHTING TODAY AT OFFICE@SOLUTIONS4GA.COM

Equipment Type	Model	Code	Unit Type	Light colour	Optics type
Lighting unit	SP-102	EDG	Runway Edge	White	Omni-directional
		THD	Runway Threshold/End	Red-Green	Bi-directional
		TWY	Taxiway	Blue	Omni-directional
		HELI	Helipad	Green	Omni-directional
		OBS	Obstruction	Red	Omni-directional
		CUS	Customized	-	-
Charging station *	OCT-102	-	-	-	-
Solar Panel **	-	-	-	-	-
Mounting	-	For Grass/Ground	-	-	-
		For Concrete/Asphalt	-	-	-
Casing *	-	-	-	-	-

* 1 per 6x SP-102 units

** Solar-powered version requires mounting obligatory

Product specifications may be subject to change, and specifications listed here are not binding. Confirm current specifications at time of order.